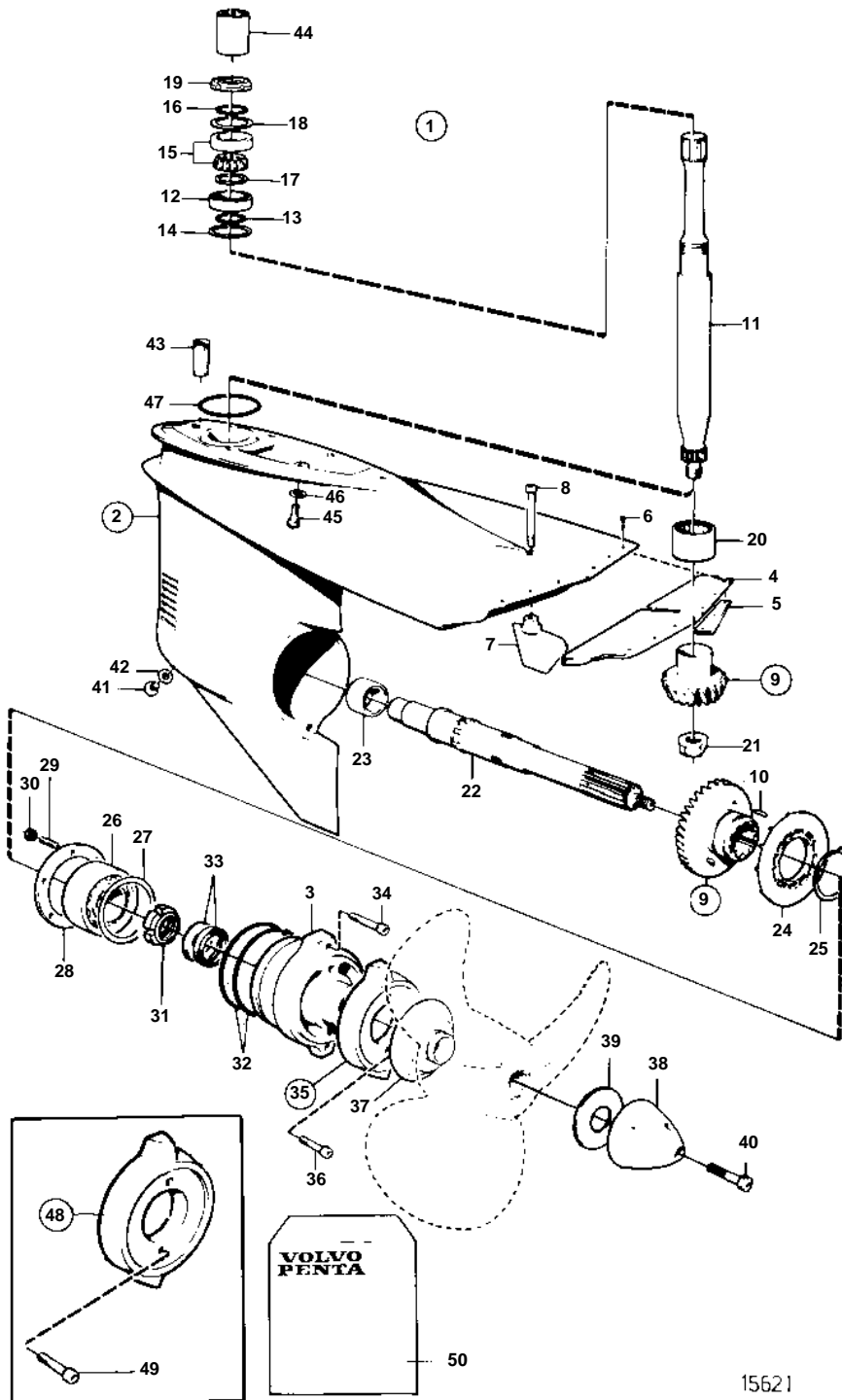


SP-C1



SP-C1

REF	PART NO.	QTY	DESCRIPTION	SEE SEC.	NOTES
1	854635	1	Gear under		RATIO 1.61:1
	3803154	1	Gear under, exchange		Exchange unit
2	854042	1	· Gear housing		
3	854044	1	· · Bearing housing		
4	852644	1	· · Check valve		
5	852643	2	· · Attaching plate		
6	948338	6	· · Pop rivet		
7	854040	1	· Steering fin		
8	959440	1	· Screw		
9	872050	1	· Gear set		RATIO 1.61:1
10	948407	2	· · Spring pin		
11	854889	1	· Countershaft		
12	183374	1	· Ball bearing		
13	941832	X	· Shim		TH=0,05mm
	941833	X	· Shim		TH=0,20mm
14	832191	1	· Gasket		Included in gasket kit.
15	11072	1	· Roller bearing		
16	897387	1	· Spacer ring		
17	944970	X	· Shim		TH = 1,60mm
18	944522	X	· Shim		TH=0,05mm
	42981	X	· Shim		TH = 0,10mm
	42980	X	· Shim		TH=0.35mm
	968057	X	· Shim		TH=0,20mm
19	969071	1	· Round nut		Included in gasket kit.
20	183497	1	· Needle bearing		
21	854300	1	· Nut		Included in gasket kit.
22	854657	1	· Driveshaft		
23	183390	1	· Needle bearing		
24	832548	1	· Pump rotor		
25	914474	1	· Lock ring		Included in gasket kit.
26	854541	1	· Ball bearing		
27	944561	X	· Shim		TH=0,05mm
	944562	X	· Shim		TH = 0,10mm
	851767	X	· Shim		TH=0,20mm
28	832725	1	· Washer		
29	953449	6	· Stud		
30	955825	6	· Nut		
31	969073	1	· Round nut		
32	925261	2	· O-ring		Included in gasket kit.
33	897426	2	· Sealing ring		Included in gasket kit.
34	941812	2	· Screw		
35	875815	1	· Zinc ring kit		
36	941809	2	· · Screw		
37	872082	1	· Line cutter		
38	854045	1	· Propeller cone		
39	850888	1	· Washer		
40	850889	1	· Screw		
41		1	· Plug		
42	955974	1	· O-ring		Included in gasket kit.
43	814482	1	· Oil pump screen		
44	854553	1	Splined sleeve Bulletin P-44-1-6	P-44-1-6-EN	Included in complete drive. Lower Gear Unit
45	941810	4	Screw		Included in gasket kit.. Included in complete drive.
46	853095	4	Washer		Included in complete drive.
47	925256	1	O-ring		Included in gasket kit.. Included in complete drive.
48	876137	1	Magnesium kit		To be used in fresh-water.
49	941809	2	· Screw		
50	876268	1	Gasket kit, lower gear		SEE GROUP 99